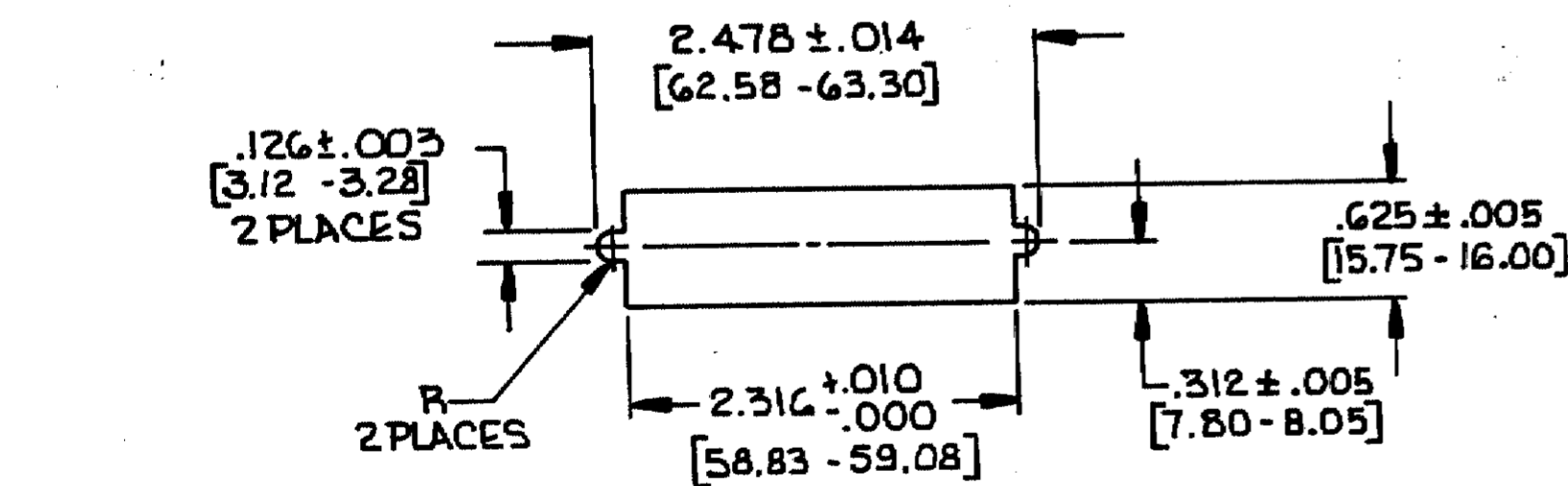
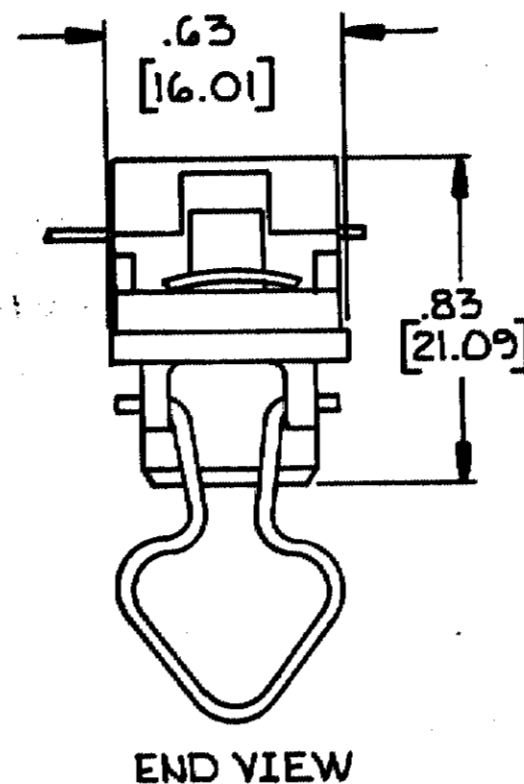
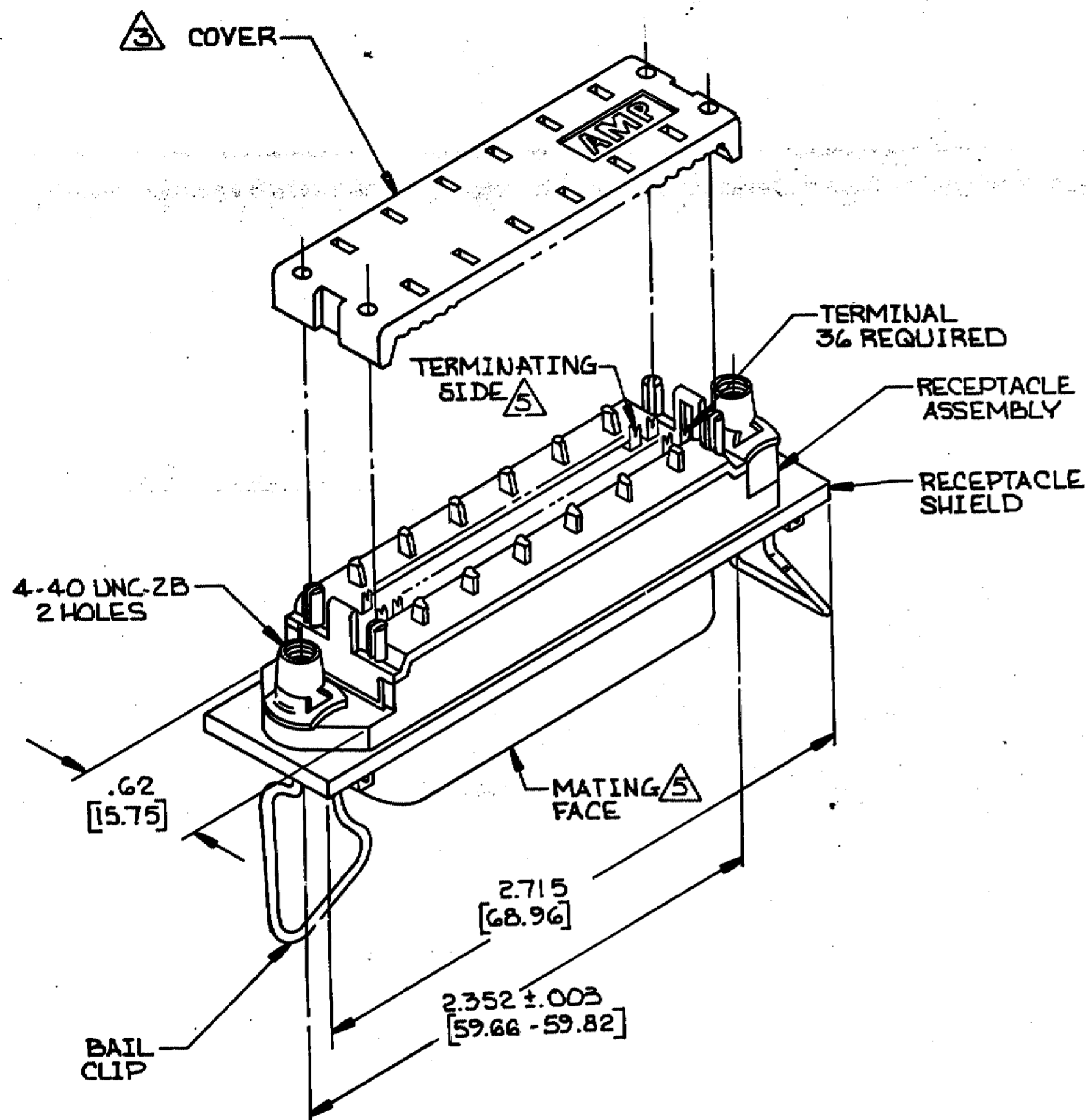


LOC		DIST		REVISIONS				DATE	APPO
AA	20	P	F	ZONE	LTR	DESCRIPTION			
		0				RLSD:NPR C90-45	2-25-90	DB	



△ SUGGESTED REAR PANEL MOUNTING CUTOUT DIMENSIONS

1. THE CONTACT SURFACES OF THE TERMINALS ARE COATED WITH LUBRICANT.
- △ 2. MATERIAL : HOUSING AND COVER - POLYPHENYLENE OXIDE, BLACK.
 TERMINALS - PHOS BRONZE PLATED WITH .000030 [0.76 μm] MINIMUM GOLD IN CONTACT AREA ON MATING FACE AND .000001 [0.03 μm] MINIMUM GOLD FLASH ON TERMINATING SIDE OVER .000050 [1.27 μm] MINIMUM GOLD NICKEL UNDERPLATE OVER ENTIRE TERMINAL SHIELD - NICKEL PLATED DIE CASTING.
 BAIL CLIPS - PASSIVATED STAINLESS STEEL.
 HARDWARE - ZINC PLATED STAINLESS STEEL.
- △ 3. COVER SHOWN LOOSE BUT SHIPPED ASSEMBLED.
4. WIRE RANGE : 26 AWG SOLID THRU 30 AWG SOLID AND 28 AWG STRANDED RIBBON CABLE.
- △ 5. MATING FACE CONSISTS OF TWO ROWS OF TERMINALS ON .085 [2.16] CENTERS. TERMINATING SIDE CONSISTS OF TERMINALS ON .100 [2.54] CENTERS FOR AN EFFECTIVE .050 [1.27] TERMINATION.
- △ 6. PANEL THICKNESS RANGE : .062 MAX.
7. FOR MORE INFORMATION REFER TO AMP PRODUCT SPECIFICATION 108-6076 AND APPLICATION SPEC 114-6030.
8. ALL DIMENSIONS SHOWN ARE MAXIMUM UNLESS OTHERWISE SPECIFIED.
9. DIMENSIONS IN BRACKETS [] ARE IN MILLIMETERS.

WAS 88-1250-1-1

555983

555983-1

PART NO

DO NOT SCALE PRINT. UNLESS SPECIFIED DIMENSIONS IN INCHES [mm] TOLERANCES ON: 2 PLC DEC ± 3 PLC DEC ± ANGLES ±	DR DB 2-25-90	AMP AMP INCORPORATED Harrisburg, Pa. 17105	
	CHK E. Fox 3-19-90		
MATERIAL △ 2	APPD Kendy McLean 3/19/90	NAME RECEPTACLE ASSEMBLY, 36 POSITION, SHIELDED, LOW PROFILE, BAIL LOCK, CHAMP LATCH	
	APPD D. Fox 2-13-90	PRODUCT SPEC	
FINISH △ 2	APPLICATION SPEC	SIZE C	FSCM NO 00779
	WEIGHT	DRAWING NO 555983	SCALE 2:1

SHEET 1 OF 1

CUSTOMER DRAWING